

Big or small, Renfroe has it all.

Whether it's big, small or somewhere in between, if your operation depends on using the right size lifting clamp for the job, you need a Renfroe clamp. That's because J.C. Renfroe has an extensive selection of products with many rated lifting capacities. We're so determined that you find the right model for your lifting needs that, if you can't find it from our line of clamps, we'll happily engineer one specially suited

to your application. We even offer free safety surveys and training seminars for our customers. That's what comes from being tuned into our customers' needs and wants for more than 65 years. It's no wonder that outstanding customer service and on-time deliveries rank right up there with our being able to offer you the best quality lifting clamp in the industry.

For more information on how we size up, contact us today for an on-the-spot consultation about your lifting needs.



J.C. RENFROE & SONS

Giving Industry the Lift It Needs!

Jacksonville, FL USA
Fax 904-354-7865 • Toll-Free 800-874-8454

www.jcrenfroe.com

PULL



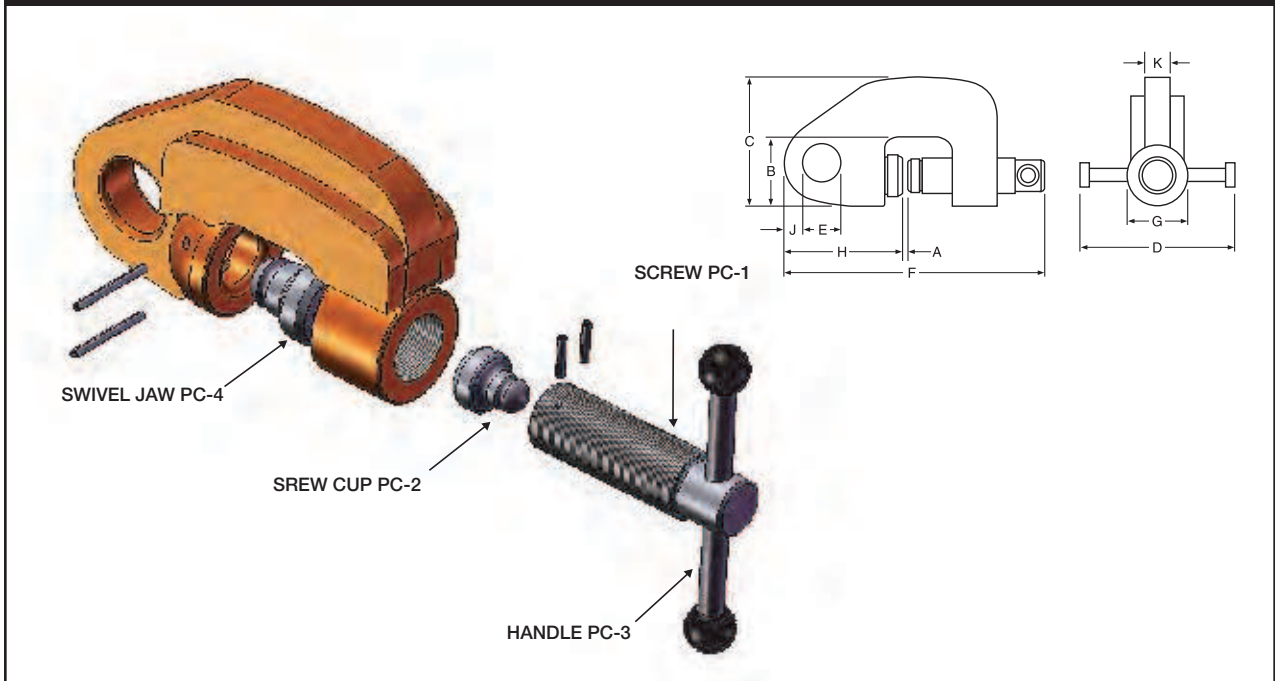
Model PC

Locking, Screw Type



Eliminate expensive pad eyes with the **Model PC...** a light "pull clamp" used for pulling and aligning structural members and fabricated sections in the construction and maintenance for shipbuilding and other industries. These clamps are versatile and have a wide range jaw opening. They are secured to the load by tightening the screw and have a rotating cam jaw grip on the screw and clamp body.

MODEL PC EXPLODED VIEW



SPECIFICATIONS (in inches)

Rated Capacity Tons	Plate Thickness A	B	C	D	E	MAX. F	G	H	J	K	Weight (in pounds)
1	0-1	2½	4 ⁹ / ₁₆	5	1¼	9 ¹ / ₈	2½	3 ¹⁵ / ₁₆	⁵ / ₈	³ / ₄	10
2	0-1¼	2 ¹¹ / ₁₆	5	6	1½	11 ¹ / ₈	2 ³ / ₈	4 ⁹ / ₁₆	³ / ₄	1	15
3	0-1½	2 ⁷ / ₈	5¼	6	1¾	12 ⁵ / ₁₆	2 ⁵ / ₈	5 ⁷ / ₁₆	¹⁵ / ₁₆	1	18
5	0-1¾	3¼	5 ⁷ / ₈	6½	2	13½	2 ⁷ / ₈	5¾	¹⁵ / ₁₆	1¼	24

SPECIFICATIONS ARE SUBJECT TO CHANGE WITHOUT NOTICE.