

Big or small, Renfroe has it all.

Whether it's big, small or somewhere in between, if your operation depends on using the right size lifting clamp for the job, you need a Renfroe clamp. That's because J.C. Renfroe has an extensive selection of products with many rated lifting capacities. We're so determined that you find the right model for your lifting needs that, if you can't find it from our line of clamps, we'll happily engineer one specially suited

to your application. We even offer free safety surveys and training seminars for our customers. That's what comes from being tuned into our customers' needs and wants for more than 65 years. It's no wonder that outstanding customer service and on-time deliveries rank right up there with our being able to offer you the best quality lifting clamp in the industry.

For more information on how we size up, contact us today for an on-the-spot consultation about your lifting needs.



J.C. RENFROE & SONS

Giving Industry the Lift It Needs!

Jacksonville, FL USA
Fax 904-354-7865 • Toll-Free 800-874-8454

www.jcrenfroe.com

BEAM

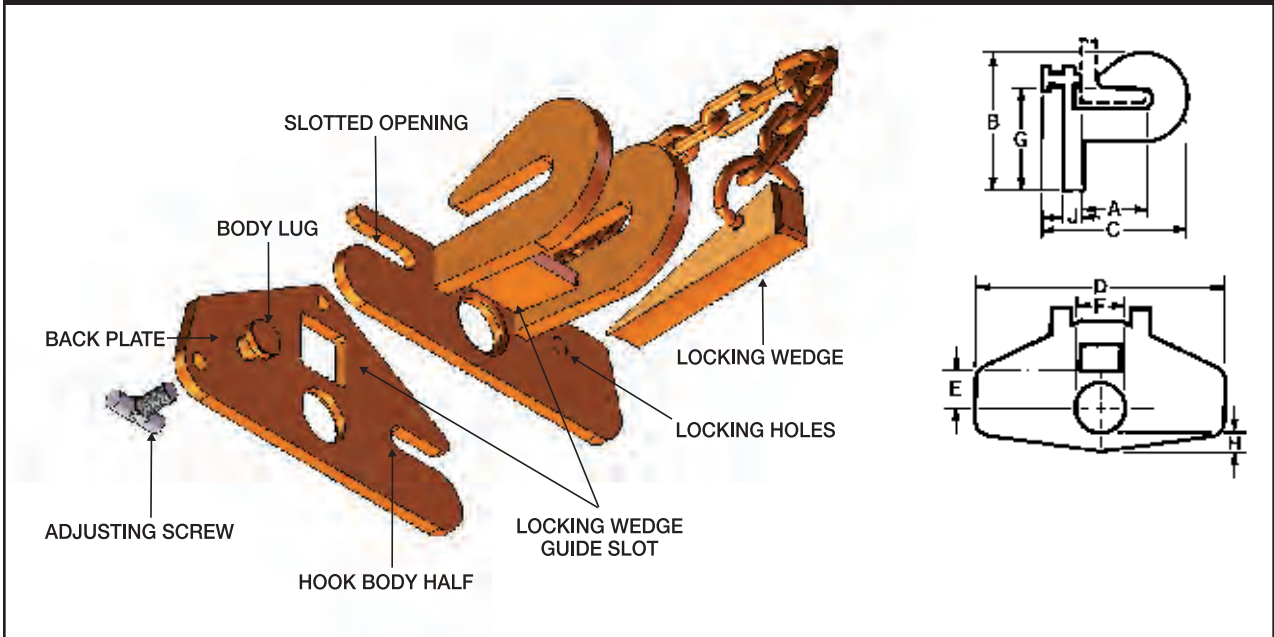


Model A-1 Locking Type



The **Model A-1** is a portable beam clamp that provides easy suspension of hoists, from channels or angles thereby eliminating the need for nuts, bolts, shackles and so on. The **Model A-1** is designed for use on channel or angle shapes only. This model is furnished with a fluted tool steel locking wedge which holds the clamp in place on channels or angles.

MODEL A-1 EXPLODED VIEW



SPECIFICATIONS (in inches)

Rated Capacity Tons	Flange Width A	B	MAX. C	D	E	F	G	H	J	Weight (in pounds)
1	1½-4	5 ⁵ / ₁₆	7 ⁷ / ₈	8 ³ / ₄	1 ³ / ₁₆	1½	4 ³ / ₁₆	5 ⁵ / ₈	¾	14
	4-8	6¼	12¼	8¾	1 ³ / ₁₆	1½	4 ¹¹ / ₁₆	5 ⁵ / ₈	¾	15
3	2-4	6 ¹¹ / ₁₆	8 ⁹ / ₁₆	11¼	1 ¹¹ / ₁₆	2¼	5 ³ / ₈	7 ⁷ / ₈	¾	22
	4-8	8¼	13½	11¼	1 ¹¹ / ₁₆	2¼	6½	7 ⁷ / ₈	¾	27
5	2-4	8 ⁵ / ₈	8 ⁷ / ₈	13¼	2¾	3 ¹ / ₈	6 ³ / ₈	1	1	35
	4-8	10 ³ / ₁₆	13 ¹³ / ₁₆	13¼	2¾	3 ¹ / ₈	6 ⁷ / ₈	1	1	45

SPECIFICATIONS ARE SUBJECT TO CHANGE WITHOUT NOTICE.



Model AC

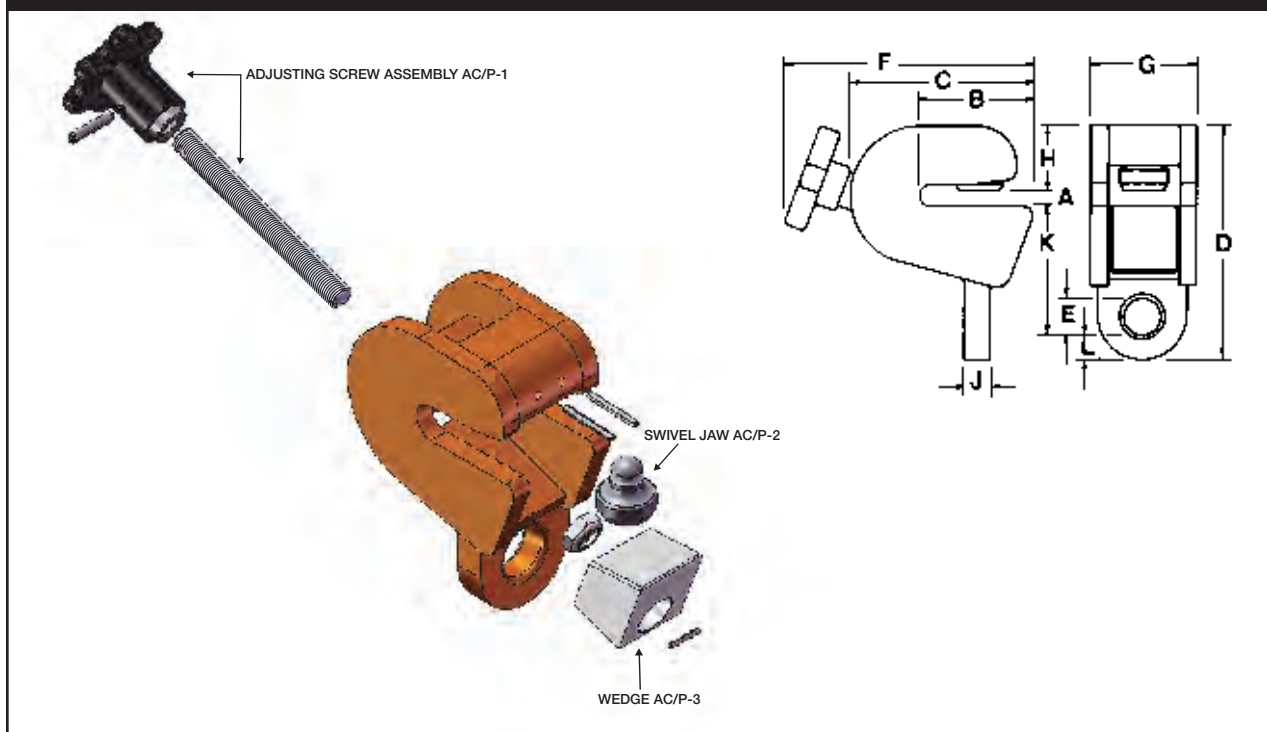
Locking, Screw Type

These clamps may be used for Drifting Loads when used in pairs or multiples.

The **Models AC** and **ACP** are light weight, portable clamps that provide quick easy attachment to structural members for the use of chain falls, hoists and wire rope pullers. These clamps are of single unit construction with a quick acting hand screw to secure the clamp.

The **Model AC** has a fixed Shackle Eye. These clamps are especially useful in the construction and maintenance for shipbuilding and other industries.

MODEL AC EXPLODED VIEW



SPECIFICATIONS (in inches)

Rated Capacity Tons	Flange Width A	B	C	D	E	F	G	H	Weight J	K	L	(in pounds)
2	1/4-5/8	3/4	5/4	7	1 1/4	6 3/4	3	1 13/16	3/4	3 9/16	3/4	11 1/2

SPECIFICATIONS ARE SUBJECT TO CHANGE WITHOUT NOTICE. OTHER CAPACITIES AVAILABLE UPON REQUEST.

Model ACP

Locking, Screw Type

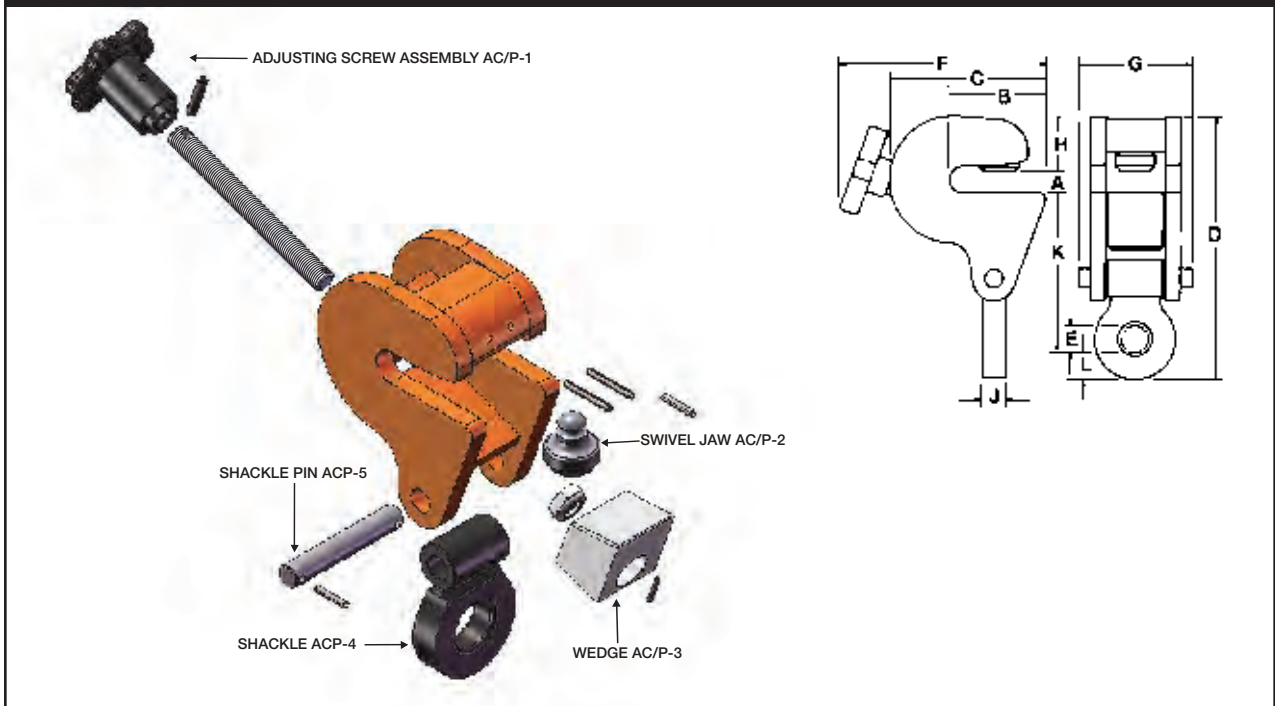


These clamps may be used for Drifting Loads when used in pairs or multiples.

The **Models AC** and **ACP** are light weight, portable clamps that provide quick easy attachment to structural members for the use of chain falls, hoists and wire rope pullers. These clamps are of single unit construction with a quick acting hand screw to secure the clamp.

The **Model ACP** has a Pivoting Shackle Eye. These clamps are especially useful in the construction and maintenance for shipbuilding and other industries.

MODEL ACP EXPLODED VIEW



SPECIFICATIONS (in inches)

Rated Capacity Tons	Flange Width A	B	C	D	E	F	G	H	Weight J	K	L	(in pounds)
2	1/4-5/8	3/4	5/4	8 ⁵ / ₁₆	1 1/4	6 ³ / ₄	3 ³ / ₄	1 ¹³ / ₁₆	3/4	5 1/2	3/4	12 1/2

SPECIFICATIONS ARE SUBJECT TO CHANGE WITHOUT NOTICE. OTHER CAPACITIES AVAILABLE UPON REQUEST.



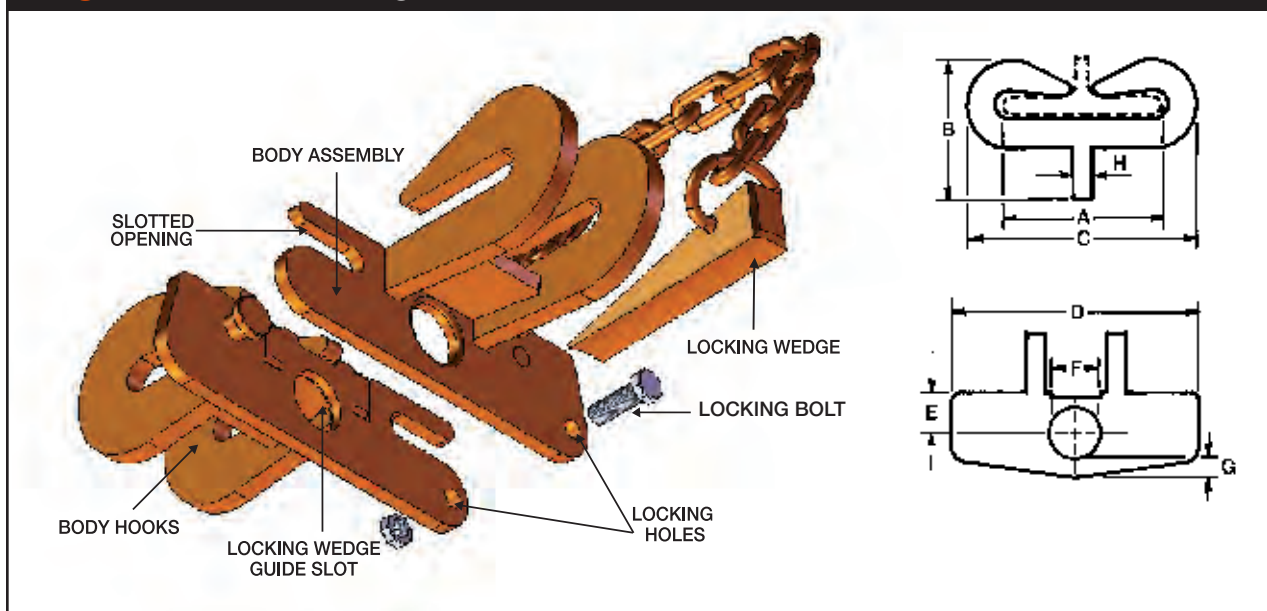
Model B-1

Locking Type



The **Model B-1** is a portable beam clamp that provides easy suspension of hoists from beams or girders thereby eliminating the need for nuts, bolts, shackles and so on. The **Model B-1** is intended for use on the American standard or wide flange beams. This model is furnished with a fluted tool steel locking wedge which holds the clamp in place on a beam.

MODEL B-1 EXPLODED VIEW



SPECIFICATIONS (in inches)

Rated Capacity Tons	Flange Width A	B	C	D	E	F	Weight G	H	(in pounds)
1	1½-4	4 ²¹ / ₃₂	6 ³ / ₄	8 ³ / ₄	1 ⁹ / ₁₆	1½	5 ⁵ / ₈	¾	12
	2-6	5¼	9½	8¾	1 ⁹ / ₁₆	1½	5 ⁵ / ₈	¾	13
	4-12	6 ³ / ₁₆	18 ⁷ / ₈	8¾	1 ⁹ / ₁₆	1½	5 ⁵ / ₈	¾	22
3	4-6	6 ¹¹ / ₁₆	10 ¹ / ₈	11¼	2	2¼	7 ⁷ / ₈	¾	20
	4-12	7 ¹¹ / ₁₆	18 ⁵ / ₈	11¼	2	2¼	7 ⁷ / ₈	¾	38
5	4-8	9 ⁷ / ₁₆	15	14¼	3	3½	1	1	45
	4-14	9 ¹³ / ₁₆	21 ³ / ₈	14¼	3	3½	1	1	62
8	6-12	11 ⁷ / ₁₆	18 ³ / ₈	18 ⁵ / ₈	4	3½ x 4 ⁵ / ₈	1 ⁷ / ₁₆	1	96
	6-17	15 ¹ / ₈	26¼	18 ⁵ / ₈	4	3½ x 4 ⁵ / ₈	1 ⁷ / ₁₆	1	151
	6-24	15 ⁵ / ₁₆	34 ³ / ₈	18 ⁵ / ₈	4	3½ x 4 ⁵ / ₈	1 ⁷ / ₁₆	1	207
12	6-12	11 ¹⁵ / ₁₆	19 ³ / ₈	18 ⁵ / ₈	4	3½ x 4 ⁵ / ₈	1 ⁷ / ₁₆	1¼	98
	6-17	15 ⁵ / ₁₆	26 ⁷ / ₈	18 ⁵ / ₈	4	3½ x 4 ⁵ / ₈	1 ⁷ / ₁₆	1¼	153
	6-24	15 ¹³ / ₁₆	34 ⁷ / ₈	18 ⁵ / ₈	4	3½ x 4 ⁵ / ₈	1 ⁷ / ₁₆	1¼	209

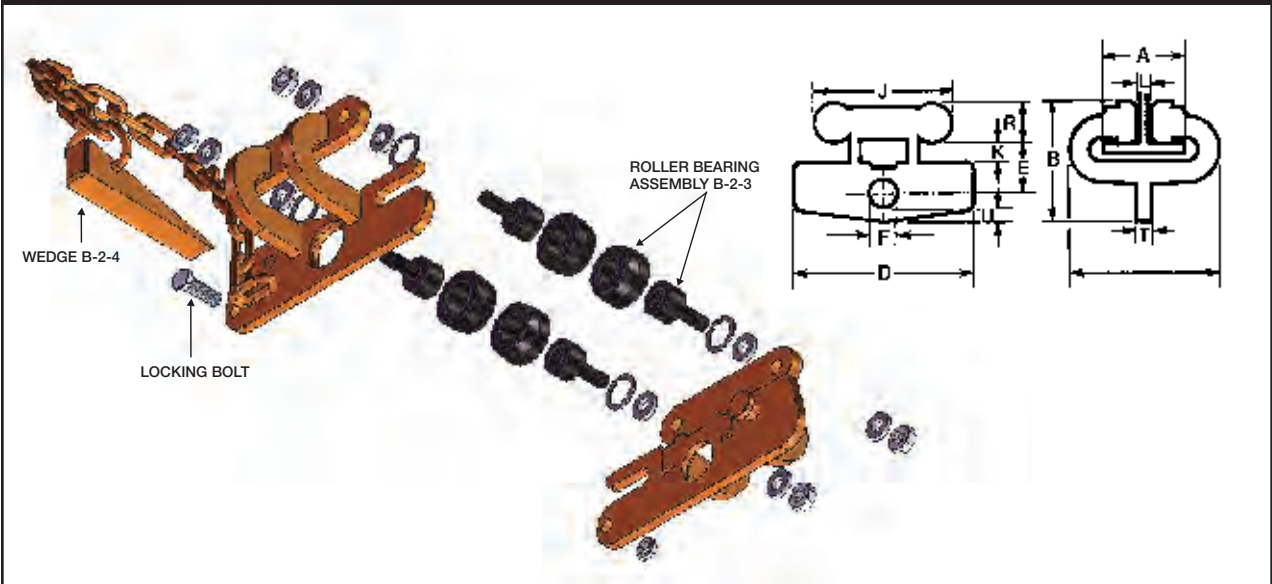
SPECIFICATIONS ARE SUBJECT TO CHANGE WITHOUT NOTICE.

Model B-2 Trolley Clamp



The **Model B-2** is a beam trolley clamp that provides connection of a hoist or chain fall to an overhead beam and enables it to be moved along the beam as the necessity arises. Equipped with four heavy duty rollers, the **Model B-2**, with load attached, can be moved along any length of American Standard or wide flange beams. The fluted tool steel locking wedge permits the clamp to be temporarily or permanently locked at a particular position along the beam.

MODEL B-2 EXPLODED VIEW



SPECIFICATIONS (in inches)

Rated Capacity Tons	Flange Width A	B	C	D	E	F	J	K	L	Weight			U (in pounds)
										R	T	U	
1	1½-4	5¾	7¼	8¾	2 ⁹ / ₁₆	1½	6¾	7/8	5/8	2	¾	¾	18
	2-6	7 ⁵ / ₈	10½	8¾	3 ³ / ₈	1½	8¾	1¼	1½	3½	¾	¾	28
	4-12	8 ³ / ₁₆	18	8¾	3 ¹⁵ / ₁₆	1½	8¾	1 ¹³ / ₁₆	1 ³ / ₈	3½	¾	¾	38
3	4-6	10¼	12¼	11¼	4	2¼	12¼	1¼	1½	5½	¾	7/8	65
	4-12	10 ⁷ / ₈	19	11¼	4 ⁵ / ₈	2¼	12¼	1 ⁷ / ₈	1½	5½	¾	7/8	78
5	4-8	13 ⁷ / ₁₆	16½	16½	5	3 ¹ / ₈	15½	1 ⁷ / ₈	1½	6	1	1	92
	4-14	13 ⁷ / ₁₆	22½	16½	5	3 ¹ / ₈	15½	1 ⁷ / ₈	1½	6	1	1	130
8	6-12	18 ¹ / ₁₆	21 ¹ / ₈	18 ⁵ / ₈	6½	3½ x 4 ⁵ / ₈	21	2½	1½	8	1	1 ⁷ / ₁₆	256
	6-17	18 ¹ / ₁₆	27	18 ⁵ / ₈	6½	3½ x 4 ⁵ / ₈	21	2½	1½	8	1	1 ⁷ / ₁₆	332
	6-24	18 ¹ / ₁₆	35	18 ⁵ / ₈	6½	3½ x 4 ⁵ / ₈	21	2½	1½	8	1	1 ⁷ / ₁₆	355
12	6-12	18 ¹ / ₁₆	22½	18 ⁵ / ₈	6½	3½ x 4 ⁵ / ₈	21	2½	1½	8	1¼	1 ⁷ / ₁₆	275
	6-17	18 ¹ / ₁₆	28½	18 ⁵ / ₈	6½	3½ x 4 ⁵ / ₈	21	2½	1½	8	1¼	1 ⁷ / ₁₆	295
	6-24	18 ¹ / ₁₆	36½	18 ⁵ / ₈	6½	3½ x 4 ⁵ / ₈	21	2½	1½	8	1¼	1 ⁷ / ₁₆	345

SPECIFICATIONS ARE SUBJECT TO CHANGE WITHOUT NOTICE.



Model BC

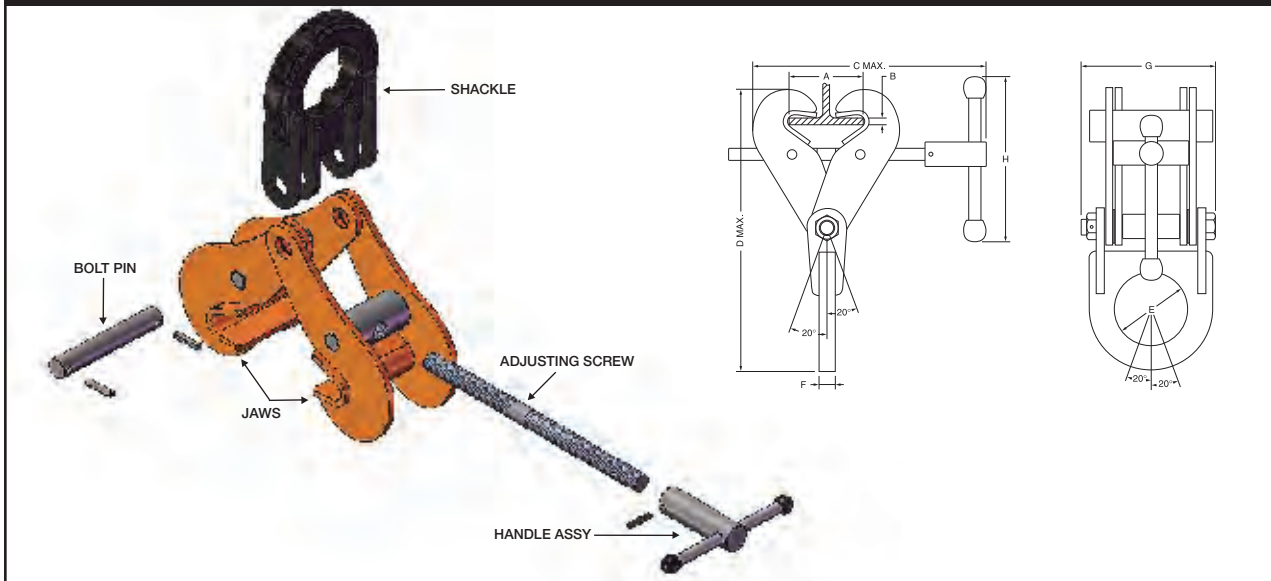
Locking Type

The **Model BC** is a multi-purpose beam clamp suitable for both lifting beams or providing suspension of hoists from beams or girders, thereby eliminating the need for nuts, bolts and shackles. It is intended for use on the American standard or wide flange beams.



OPTION: Now available with soft jaw inserts. Factory installed at time of order or as a Retrofit Kit for customer installation

MODEL BC EXPLODED VIEW



SPECIFICATIONS (in inches)

Working Load Limit at 0° - 20° Vertical Tons	Flange Width A	Flange Thickness B	C	D	E	F	G	H	Weight (in pounds)
1½	3 - 7 1/4	1/4 - 1/2	1 17/8	11 3/4	3	1/2	5	5 3/4	9 1/2
3	3 - 7 1/4	1/4 - 1/2	1 17/8	12	3	5/8	5 3/16	6 3/4	13 1/2
5	6 - 9 1/2	1/2 - 3/4	17	14 7/8	3 1/4	3/4	6 5/16	6 3/4	22 1/2
10	6 - 11 1/8	1/2 - 1 1/4	21 1/4	19 1/8	4	1 1/2	7 1/8	9	53
15	8 - 16 3/4	7/8 - 2	32	26 1/2	4 1/2	1 3/4	8 3/8	12	120
25	18 - 38	2 - 3	61	40 1/2	5	2	15	15	450

SPECIFICATIONS ARE SUBJECT TO CHANGE WITHOUT NOTICE.

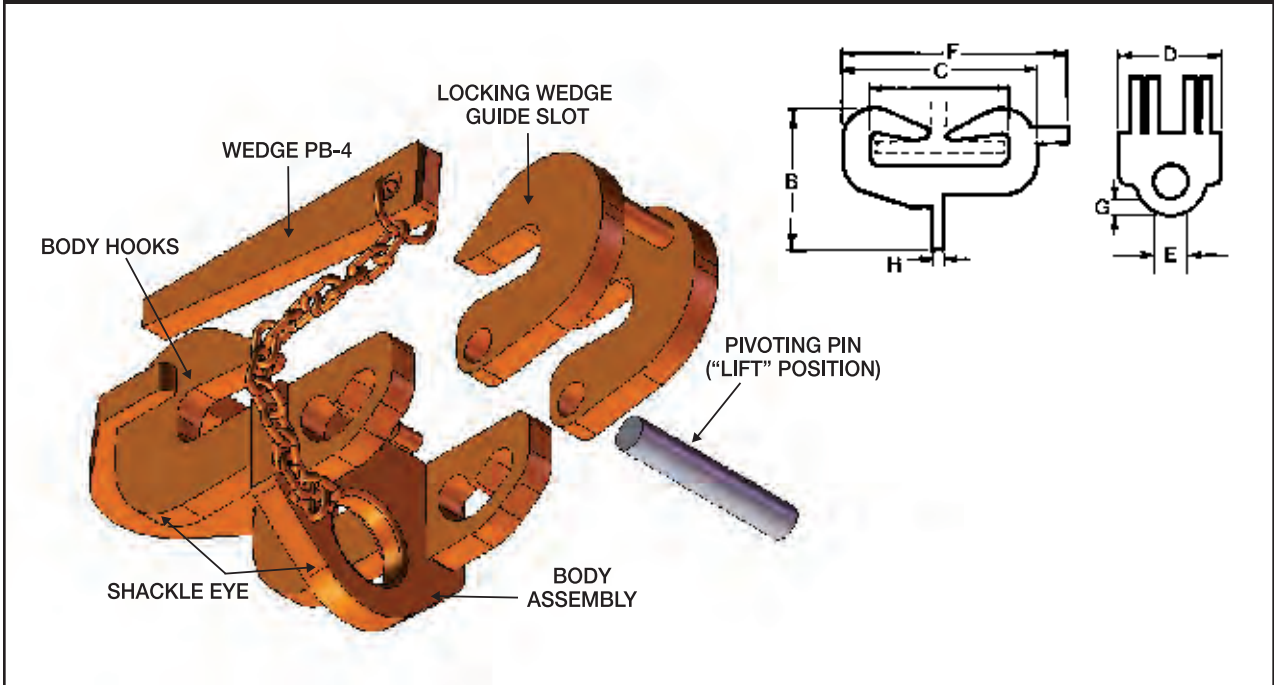
Model PB

Locking Type



The **Model PB** is similar to the Model B-1 and provides quick attachment to beams and girders and may be used in the general rigging of chain falls and hoists. The clamp hinges in two sections allowing quick installation. This model is furnished with a fluted tool steel locking wedge which holds the clamp in place on a beam. The two eyes allow the clamp to be attached in the vertical or horizontal positions. The clamp is of single unit construction and fits a wide range of flange widths.

MODEL PB EXPLODED VIEW



SPECIFICATIONS (in inches)

Rated Capacity Tons	Flange Width A	B	C	D	E	F	Weight G	H	(in pounds)
1	2-6	7	7½	5	1½	10⅞	¾	½	10
3	2-6	9½	10½	6½	2¼	13⅙	⅞	¾	28
5	4-8	10½	13	7	2½	15¼	1	¾	44

SPECIFICATIONS ARE SUBJECT TO CHANGE WITHOUT NOTICE.