

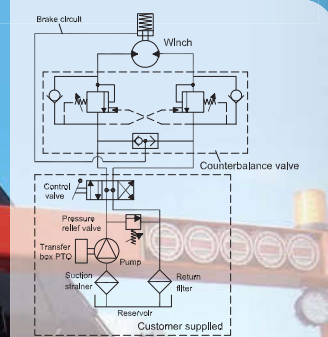
Bison Series

20,000 - 30,000 - 50,000 lb pulling capacity



- 1 Powered by a PTO (power take off unit) driven pump with variable recovery speeds for high working rate.
- 2 Highly efficient and constant operating torque motor.
- 3 Uses a patented Multi-Disc Brake (MDB) for safe and secure load holding.
- 4 Hardened 2-stage planetary gear train provides faster line speeds.
- 5 Built-in air clutch for rapid wire rope payout

Remark : Low pressure motor or EN Version available upon request



(Powered by PTO) power take off unit driven pump
The installation of the counterbalance valve supplied is required for 100% braking

Bison 50

50,000 LB Hydraulic Recovery Winch



Note : Roller fairlead does not mount to winch

Bison 50 PN 685080 Std. dum
• Meets SAE J706 revised AUG2003, CE Machinery Directive 2006/42/CE

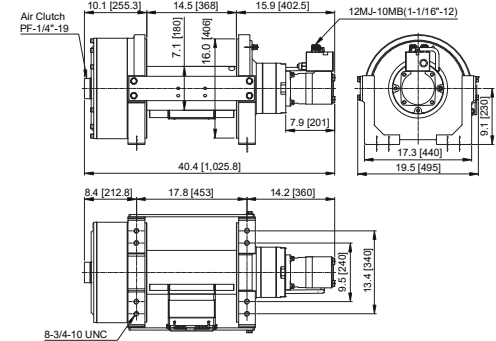
SPECIFICATIONS :

Rated line pull : 50,000 lb (22,680 kg) SAE J706 rating
Operation pressure : 2,900 psi / 200 bar
Max oil flow : 26.5 g/min (100 l/min)
Hydraulic motor : 15.4 in³ / rev (251.8 cm³ / rev)
Gear train & ratio : 2-stage planetary gear 44:1
Winch construction : Cast housings with steel drum
Clutch (Freespooling) : Output shaft disengaged
Brake : Multi-Disc Brake (MDB) patented and counterbalance valve supplied
Rotation of winch : Wire rope shall be under-wound orientation only
Drum barrel diameter : 7.1" (180 mm)
Drum flange diameter : 16" (406 mm)
Distance between flanges : 14.5" (368 mm)
Mounting bolt pattern : 9.5" x 17.8" (240 mm x 453 mm) ; 13.4" x 17.8" (340 mm x 453 mm)
Wire rope recommended : 7/8" x 157' (22.4 mm x 48 m) 1,770 N/mm² (EIPS) breaking strength of 305 kN required for SAE J706 ratings.
Winch weight : 827 lb / 375 kg
Gross weight : 904 lb / 410 kg
Box dimension : 46" x 24.8" x 26.4" (1,170 x 630 x 670 mm)

PERFORMANCE DATA :

Layer of Wire Rope	Line Pull and Rope Capacity		Line Speed	
	Pull by Layer, lb / kg	Total Rope on the Drum, ft / m	at 26.5 g/min (100 l/min), fpm / mpm	
1 st	50,000 / 22,680	33 / 10	19 / 5.7	
2 nd	40,940 / 18,570	72 / 22	23 / 7.0	
3 rd	34,660 / 15,720	118 / 36	27 / 8.3	
4 th	30,050 / 13,630	157 / 48	31 / 9.6	

DIMENSION in/mm :



Bison 30

30,000 LB Hydraulic Recovery Winch



Note : Roller fairlead does not mount to winch

Bison 30 **PN 683032** Std. drum
PN 683435 Long drum
 • Meets SAE J706 revised AUG2003, CE Machinery Directive 2006/42/CE

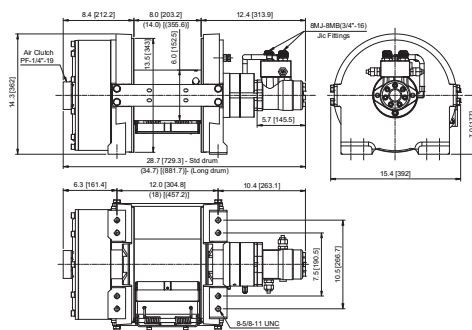
SPECIFICATIONS :

Rated line pull : 30,000 lb (13,600 kg) SAE J706 rating
Operation pressure : 2,540 psi / 175 bar
Max oil flow : 15.9 g/min (60 l/min)
Hydraulic motor : 9.5 in³ / rev (155.7 cm³ / rev)
Gear train & ratio : 2-stage planetary gear 41:1
Winch construction : Cast housings with steel drum
Clutch (Freespooling) : Output shaft disengaged
Brake : Multi-Disc Brake (MDB) patented and counterbalance valve supplied
Rotation of winch : Wire rope shall be under-wound orientation only
Drum barrel diameter : 6" (152.5 mm)
Drum flange diameter : 13.5" (343 mm)
Distance between flanges : 8" (203.2 mm) - Std. drum; 14" (355.6 mm) - Long drum
Mounting bolt pattern :
 Std. drum - 7.5" x 12" (190.5 x 304.8 mm); 10.5" x 12" (266.7 x 304.8 mm)
 Long drum - 7.5" x 18" (190.5 x 457.2 mm); 10.5" x 18" (266.7 x 457.2 mm)
Wire rope recommended : 5/8" x 141" (16 mm x 43 m) for Std. drum and 246" (75 m) for Long drum, 1,960 N/mm² (EIPS) grade with a minimum breaking strength of 40,167 lbf (179 kN) required for SAE J706 ratings.
Winch weight : 386 lb / 175 kg (Std. drum); 434 lb / 197 kg (Long drum)
Gross weight : 437 lb / 198 kg (Std. drum); 518 lb / 235 kg (Long drum)
Box dimension :
 35.4" x 20.1" x 20.9" (900 x 510 x 530 mm) - Std. drum
 40.9" x 24.4" x 20.1" (1,040 x 620 x 510 mm) - Long drum

PERFORMANCE DATA :

Layer of Wire Rope	Line Pull and Rope Capacity		Line Speed	
	Pull by Layer, lb / kg	Total Rope on the Drum, ft / m Std. drum	at 15.9 g/min (60 l/min), fpm / mpm	
1 st	30,000 / 13,600	20 / 6	36 / 11	16 / 5.0
2 nd	25,216 / 11,438	44 / 14	82 / 25	19 / 5.9
3 rd	21,745 / 9,864	73 / 22	131 / 40	23 / 6.9
4 th	19,115 / 8,670	104 / 32	190 / 58	26 / 7.8
5 th	17,052 / 7,735	141 / 43	246 / 75	29 / 8.8

DIMENSION in/mm :



Bison 20

20,000 LB Hydraulic Recovery Winch



Note : Roller fairlead does not mount to winch

Bison 20 **PN 682032** Std. drum
PN 682385 Long drum
 • Meets SAE J706 revised AUG2003, CE Machinery Directive 2006/42/CE and EN 14492-1:2006 Power Driven Winches

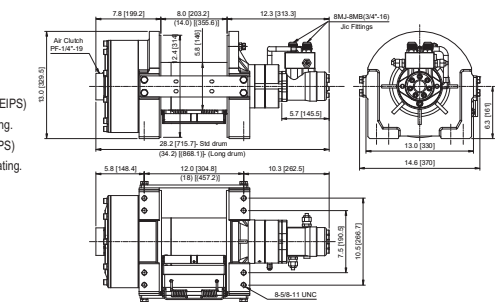
SPECIFICATIONS :

Rated line pull : 20,000 lb (9,070 kg) EN 14492-1 rating & SAE J706 rating
Operation pressure : 2,540 psi / 175 bar
Max oil flow : 15.9 g/min (60 l/min)
Hydraulic motor : 9.5 in³ / rev (155.7 cm³ / rev)
Gear train & ratio : 2-stage planetary gear 30:1
Winch construction : Cast housings with steel drum
Clutch (Freespooling) : Output shaft disengaged
Brake : Multi-Disc Brake (MDB) patented and counterbalance valve supplied
Rotation of winch : Wire rope shall be under-wound orientation only
Drum barrel diameter : 5.8" (146 mm)
Drum flange diameter : 12.4" (314 mm)
Distance between flanges : 8" (203.2 mm) - Std. drum; 14" (355.6 mm) - Long drum
Mounting bolt pattern :
 Std. drum - 7.5" x 12" (190.5 x 304.8 mm); 10.5" x 12" (266.7 x 304.8 mm)
 Long drum - 7.5" x 18" (190.5 x 457.2 mm); 10.5" x 18" (266.7 x 457.2 mm)
Wire rope recommended :
 "9/16" x 141" (14 mm x 43 m) for Std. drum and 262" (80 m) for Long drum, 1,960 N/mm² (EIPS) grade with a minimum breaking strength of 30,472 lbf (137 kN) required for SAE J706 rating.
 "5/8" x 98" (16 mm x 30 m) for Std. drum and 180" (55 m) for Long drum, 1,960 N/mm² (EIPS) grade with a minimum breaking strength of 40,167 lbf (179 kN) required for EN 14492-1 rating.
Winch weight : 298 lb / 135 kg (Std. drum); 331 lb / 150 kg (Long drum)
Gross weight : 364 lb / 165 kg (Std. drum); 430 lb / 195 kg (Long drum)
Box dimension :
 34.3" x 19.7" x 20.1" (870 x 500 x 510 mm) - Std. drum
 40.4" x 19.7" x 20.1" (1,025 x 500 x 510 mm) - Long drum

PERFORMANCE DATA :

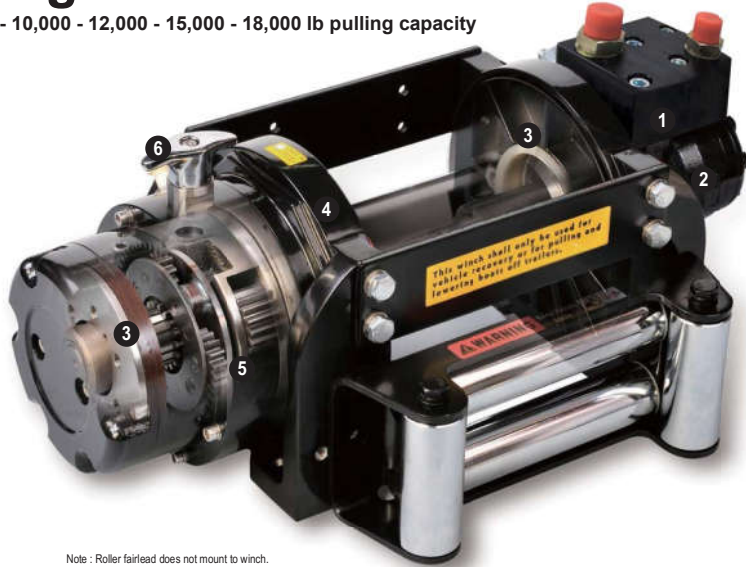
Layer of Wire Rope	Pull by Layer, lb / kg	Line Pull and Rope Capacity				Line Speed at 15.9 g/min (60 l/min), fpm / mpm
		9/16" rope Std. drum	5/8" rope Long drum	9/16" rope Std. drum	5/8" rope Long drum	
1 st	20,000 / 9,070	23 / 7	20 / 6	39 / 12	36 / 11	23 / 7.1
2 nd	17,017 / 7,719	49 / 15	43 / 13	89 / 27	79 / 24	27 / 8.3
3 rd	14,813 / 6,719	79 / 24	69 / 21	141 / 43	128 / 39	31 / 9.5
4 th	13,113 / 5,948	112 / 34	98 / 30	203 / 62	180 / 55	35 / 10.8
5 th	11,762 / 5,335	141 / 43	-	262 / 80	-	39 / 12

DIMENSION in/mm :



Badger Series

8,000 - 10,000 - 12,000 - 15,000 - 18,000 lb pulling capacity

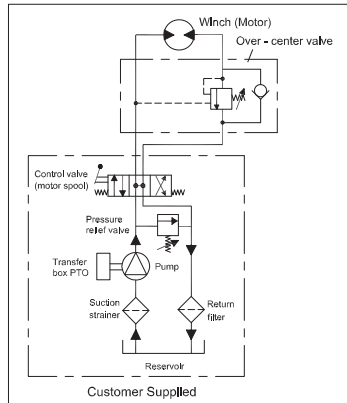


Note : Roller fairlead does not mount to winch.

Compliant with EN 14492-1 requirements for recovery winch:
 * The working coefficient for the first rope layer on the drum shall be at least 2.
 * The D/d ratio to the center of the rope shall be at least 10 for the drum.
 * Drum freeboard shall be at least 1.5 x rope diameter.

• Meets SAE J706 revised AUG2003, CE Machinery Directive 2006/42/EC, and EN 14492-1:2006 Power Driven Winches. (Except Badger 18)

Hydraulic System Installation
 (Powered by a PTO/power take off unit driven pump)



Advantage: Professional winch system for hard working applications is cost effective, extremely powerful, reliable, light weight, and feature variable line speed for a high work rate.

- 1 Powered by a PTO Device**
Adjustable oil flow and pressure allow variable line pull and speed.
- 2 Extreme Motor**
Highly efficient and constant operating torque output.
- 3 Doubled Failsafe Brakes**
Mechanical drag brake and over-center valve provided for holding full load.
- 4 Outstanding and Elegant Design**
Aluminum die cast housings with steel drum.
- 5 2-stage Planetary Gear Train**
Less gear reduction ratio for maximum rated line speed.
- 6 Turn Clutch by Ergonomic T-handle for Rapid Wire Rope Payout**
Easy to turn the T-handle for rapid wire rope payout and workable for left or right side location.

Badger 18

18,000 LB Hydraulic Recovery Winch



Badger 18 PN 681819 Std. drum (Clutch in left side)
 • Meets SAE J706 revised AUG2003, CE Machinery Directive 2006/42/EC

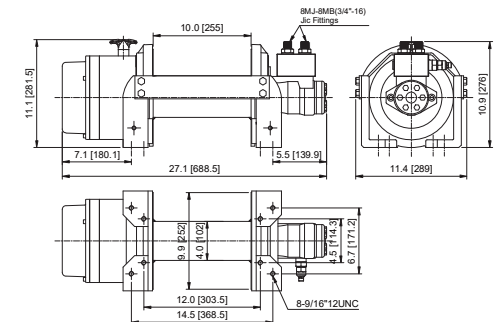
SPECIFICATIONS :

Rated line pull : 18,000 lb (8,165 kg) SAE J706 rating
Line speed (at 1st layer of rope) : 23 fpm at 15.9 g/min (7 mpm at 60 l/min)
Operation pressure : 2,175 psi / 150 bar
Max oil flow : 15.9 g/min (60 l/min)
Hydraulic motor : 9.5 in³ / rev (156 cm³ / rev)
Gear ratio : 2-stage planetary gear 19.4:1
Winch construction : Aluminum die cast housings with steel drum
Clutch (Freespooling) : Rotating ring gear
Brake : Spring applied drag brake together with over-center valve supplied
Rotation of winch : Wire rope shall be under-wound orientation only
Drum barrel diameter : 4" (102 mm)
Drum flange diameter : 9.9" (252 mm)
Distance between flanges : 10" (255 mm)
Mounting bolt pattern :
 12.0" x 4.5" (303.5 x 114.3 mm)
 14.5" x 6.7" (368.5 x 171.2 mm)
Wire rope recommended : 1/2" x 165' (12.7 mm x 50.3 m), 1,960 N/mm² (EIPS) grade.
 A minimum breaking strength of 22,552 lbf (100.5 kN) required
Minimum weight : 158.7 lb / 72 kg
Gross weight : 194 lb / 88 kg
Box dimension : 28.1" x 16.3" x 12.2" (715 x 415 x 311 mm)

PERFORMANCE DATA :

Layer of Wire Rope	Line Pull and Rope Capacity		Line Speed
	Pull by Layer, lb / kg	Total Rope on the Drum, ft / m	at 15.9 g/min (60 l/min), fpm / mpm
1 st	18,000 / 8,165	23.3 / 7.1	23 / 7
2 nd	14,767 / 6,698	51.5 / 15.7	28.5 / 8.7
3 rd	12,500 / 5,670	85 / 25.9	33.8 / 10.3
4 th	10,838 / 4,916	123.4 / 37.6	37.1 / 11.3
5 th	9,564 / 4,338	165 / 50.3	44 / 13.4

DIMENSION in/mm :



Badger 15

15,000 LB Hydraulic Recovery Winch



Badger 15 **PN 681501** Std. drum (Clutch in left side)
 • Meets SAE J706 revised AUG2003, CE Machinery Directive 2006/42/EC, and EN 14492-1:2006 Power Driven Winches

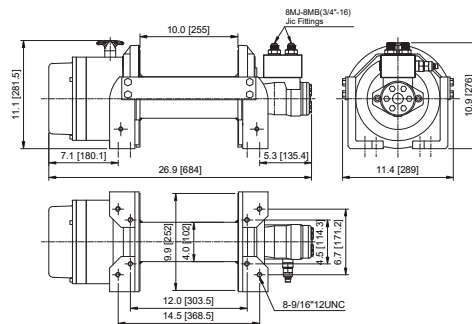
SPECIFICATIONS :

Rated line pull : 15,000 lb (6,800 kg) SAE J706 rating
Line speed (at 1st layer of rope) : 30 fpm at 15.9 g/min (9 mpm at 60 l/min)
Operation pressure : 2,175 psi / 150 bar
Max oil flow : 15.9 g/min (60 l/min)
Hydraulic motor : 7.6 in³ / rev (125 cm³ / rev)
Gear ratio : 2-stage planetary gear 19.4:1
Winch construction : Aluminum die cast housings with steel drum
Clutch (Freespooling) : Rotating ring gear
Brake : Spring applied drag brake together with over-center valve supplied
Rotation of winch : Wire rope shall be under-wound orientation only
Drum barrel diameter : 4" (102 mm)
Drum flange diameter : 9.9" (252 mm)
Distance between flanges : 10" (255 mm)
Mounting bolt pattern :
 12.0" x 4.5" (303.5 x 114.3 mm)
 14.5" x 6.7" (368.5 x 171.2 mm)
Wire rope recommended : 1/2" x 165' (12.7 mm x 50.3 m), 1,960 N/mm² (EIPS) grade.
 A minimum breaking strength of 22,552 lbf (100.5 kN) required
Winch weight : 158.7 lb / 72 kg
Gross weight : 194 lb / 88 kg
Box dimension : 28.1" x 16.3" x 12.2" (715 x 415 x 311 mm)

PERFORMANCE DATA :

Layer of Wire Rope	Line Pull and Rope Capacity		Line Speed
	Pull by Layer, lb / kg	Total Rope on the Drum, ft / m	at 15.9 g/min (60 l/min), fpm / mpm
1 st	15,000 / 6,800	23.3 / 7.1	30 / 9
2 nd	12,273 / 5,567	51.5 / 15.7	35.8 / 10.9
3 rd	10,390 / 4,713	85 / 25.9	42 / 12.8
4 th	9,008 / 4,086	123.4 / 37.6	48.6 / 14.8
5 th	7,950 / 3,606	165 / 50.3	55 / 16.8

DIMENSION in/mm :



Badger 12

12,000 LB Hydraulic Recovery Winch



Badger 12 **PN 681201** Std. drum (Clutch in left side)
 • Meets SAE J706 revised AUG2003, CE Machinery Directive 2006/42/EC, and EN 14492-1:2006 Power Driven Winches

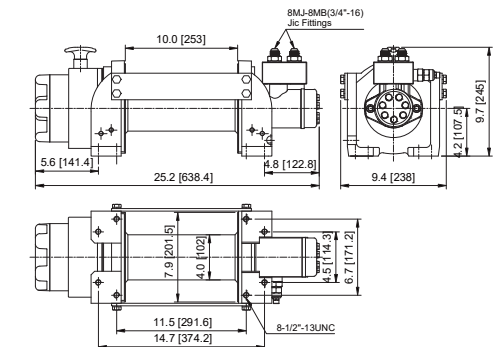
SPECIFICATIONS :

Rated line pull : 12,000 lb (5,440 kg) SAE J706 rating
Line speed (at 1st layer of rope) : 36 fpm at 15.9 g/min (11 mpm at 60 l/min)
Operation pressure : 2,175 psi / 150 bar
Max oil flow : 15.9 g/min (60 l/min)
Hydraulic motor : 7.6 in³ / rev (125 cm³ / rev)
Gear ratio : 2-stage planetary gear 16:1
Winch construction : Aluminum die cast housings with steel drum
Clutch (Freespooling) : Rotating ring gear
Brake : Spring applied drag brake together with over-center valve supplied
Rotation of winch : Wire rope shall be under-wound orientation only
Drum barrel diameter : 4" (102 mm)
Drum flange diameter : 7.9" (201.5 mm)
Distance between flanges : 10" (253 mm)
Mounting bolt pattern :
 11.5" x 6.7" (291.6 x 171.2 mm)
 14.7" x 4.5" (374.2 x 114.3 mm)
Wire rope recommended : 1/2" x 82' (12.7 mm x 25 m), 1,960 N/mm² (EIPS) grade.
 A minimum breaking strength of 22,552 lbf (100.5 kN) required
Winch weight : 81.4 lb / 37 kg
Gross weight : 102.5 lb / 46.6 kg
Box dimension : 26.2" x 14.6" x 11.2" (665 x 370 x 285 mm)

PERFORMANCE DATA :

Layer of Wire Rope	Line Pull and Rope Capacity		Line Speed
	Pull by Layer, lb / kg	Total Rope on the Drum, ft / m	at 15.9 g/min (60 l/min), fpm / mpm
1 st	12,000 / 5,440	23 / 7	36 / 11
2 nd	10,075 / 4,570	50.9 / 15.5	43.3 / 13.2
3 rd	8,684 / 3,939	82 / 25	51.2 / 15.6

DIMENSION in/mm :



Badger 10

10,000 LB Hydraulic Recovery Winch



Badger 10 PN 681001 Std. drum (Clutch in left side)
 • Meets SAE J706 revised AUG2003, CE Machinery Directive 2006/42/EC, and EN 14492-1:2006 Power Driven Winches

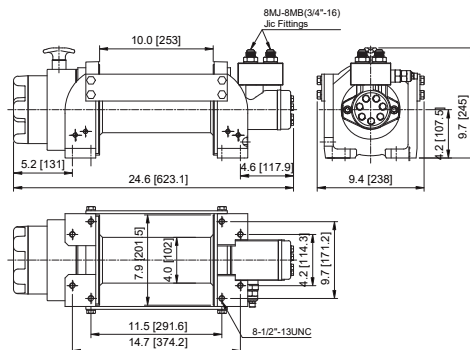
SPECIFICATIONS :

- Rated line pull : 10,000 lb (4,535 kg) SAE J706 rating
- Line speed (at 1st layer of rope) : 46 fpm at 15.9 g/min (14 mpm at 60 l/min)
- Operation pressure : 2,175 psi / 150 bar
- Max oil flow : 15.9 g/min (60 l/min)
- Hydraulic motor : 5.9 in³ / rev (97.3 cm³ / rev)
- Gear ratio : 2-stage planetary gear 16:1
- Winch construction : Aluminum die cast housings with steel drum
- Clutch (Freespooling) : Rotating ring gear
- Brake : Spring applied drag brake together with over-center valve supplied
- Rotation of winch : Wire rope shall be under-wound orientation only
- Drum barrel diameter : 4" (102 mm)
- Drum flange diameter : 7.9" (201.5 mm)
- Distance between flanges : 10" (253 mm)
- Mounting bolt pattern : 11.5" x 6.7" (291.6 x 171.2 mm) 14.7" x 4.5" (374.2 x 114.3 mm)
- Wire rope recommended : 7/16" x 89' (11 mm x 27 m), 1,960 N/mm² (EIPS) grade. A minimum breaking strength of 18,939 lbf (84.4 kN) required
- Winch weight : 81.4 lb / 37 kg
- Gross weight : 102.5 lb / 46.6 kg
- Box dimension : 26.2" x 14.6" x 11.2" (665 x 370 x 285 mm)

PERFORMANCE DATA :

Layer of Wire Rope	Line Pull and Rope Capacity		Line Speed
	Pull by Layer, lb / kg	Total Rope on the Drum, ft / m	at 15.9 g/min (60 l/min), fpm / mpm
1 st	10,000 / 4,535	26.2 / 8	46 / 14
2 nd	8,369 / 3,796	57.4 / 17.5	53.5 / 16.3
3 rd	7,196 / 3,264	89 / 27	62.3 / 19

DIMENSION in/mm :



Badger 8

8,000 LB Hydraulic Recovery Winch



Badger 8 PN 680801 Std. drum (Clutch in left side)
 PN 680811 Std. drum (Clutch in left side)
 • Meets SAE J706 revised AUG2003, CE Machinery Directive 2006/42/EC, and EN 14492-1:2006 Power Driven Winches

SPECIFICATIONS :

- Rated line pull : 8,000 lb (3,630 kg) SAE J706 rating
- Line speed (at 1st layer of rope) : 49 fpm at 15.9 g/min (15 mpm at 60 l/min)
- Operation pressure : 2,175 psi / 150 bar
- Max oil flow : 15.9 g/min (60 l/min)
- Hydraulic motor : 4.7 in³ / rev (78 cm³ / rev)
- Gear ratio : 2-stage planetary gear 16:1
- Winch construction : Aluminum die cast housings with steel drum
- Clutch (Freespooling) : Rotating ring gear
- Brake : Spring applied drag brake together with over-center valve supplied
- Rotation of winch : Wire rope shall be under-wound orientation only
- Drum barrel diameter : 3.5" (90 mm)
- Drum flange diameter : 7.9" (201.5 mm)
- Distance between flanges : 7.5" (190 mm) - Std. drum 10" (253 mm) - Long drum
- Mounting bolt pattern : Std. drum - 9" x 6.7" (228.6 x 171.2 mm); 12.3" x 4.5" (311.2 x 114.3 mm) Long drum - 11.5" x 6.7" (291.6 x 171.2 mm); 14.7" x 4.5" (374.2 x 114.3 mm)
- Wire rope recommended : 3/8" x 100' (10 mm x 30.5 m) for Std. drum and 131' (40 m) for Long drum, 1960 N/mm² (EIPS) grade. A minimum breaking strength of 15,663 lbf (69.8 kN) required
- Winch weight : 78.1 lb / 35.5 kg (Std. drum); 82.7 lb / 37.5 kg (Long drum)
- Gross weight : 95.3 lb / 43.3 kg (Std. drum); 99.9 lb / 45.3 kg (Long drum)
- Box dimension : 23.6" x 14.6" x 11.2" (600 x 370 x 285 mm) - Std. drum 26.2" x 14.6" x 11.2" (665 x 370 x 285 mm) - Long drum

PERFORMANCE DATA :

Layer of Wire Rope	Line Pull and Rope Capacity			Line Speed
	Pull by Layer, lb / kg	Total Rope on the Drum, ft / m	Std. drum Long drum	at 15.9 g/min (60 l/min), fpm / mpm
1 st	8,000 / 3,630	19 / 5.8	25.6 / 7.8	49 / 15
2 nd	6,669 / 3,025	42 / 12.8	56.1 / 17.1	59.7 / 18.2
3 rd	5,717 / 2,593	68.6 / 20.9	91.9 / 28	69.6 / 21.2
4 th	5,002 / 2,269	100 / 30.5	131 / 40	79.4 / 24.2

DIMENSION in/mm :

