



# VR EVO 10 and 10-S

10,000 lb. Capacity—The Perfect Blend of Speed and Power

Ideal weight capacity and line speed for 1/2-ton pickups, Jeeps, and larger SUVs. The VR EVO 10 and 10-S feature IP68-rated waterproof construction, an ultra-reliable Albright® contactor inside a relocatable control pack, and a state-of-the-art, two-in-one remote for added ease of use and versatility. With its fast line-speed and lower amp draw, the VR EVO series of winches are the hardest-working standard-duty winches we've ever made, with tactical styling that looks great up front and at a price that won't pull you out of your budget.

- A powerful series-wound motor and planetary gear train deliver faster line speed under load, with lower amp draw
- IP68-rated waterproof winch construction keeps the elements out
- High-performance Albright contactor delivers maximum reliability
- Control packs can be relocated for low-profile installations
- Durable, one-piece cast-aluminum tie-plate for added strength and durability
- Two-in-one remote with wired AND wireless options for ease of use and versatility
- Available with wire or synthetic rope
- Limited lifetime warranty for mechanical parts and 7 years on the electrical
- Designed, engineered, and tested by WARN engineers in the U.S.A.



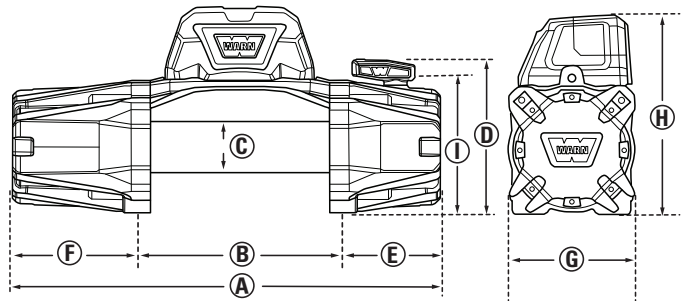


## SPECIFICATIONS

**Winch Model:** VR EVO 10, VR EVO 10-S  
**Parts Numbers:** 103252 (VR EVO 10), 103253 (VR EVO 10-S)  
**Rated Line Pull:** 10000 lbs. (4536 kg)  
**Motor:** 12V DC, series wound  
**Electrical Controls:** Albright Contactor  
**Remote Control:** 2-in-1 plug-in remote with wireless capability and 11.5' (3.5m) lead  
**Gear Train:** 3-stage planetary  
**Gear Ratio:** 218:1  
**Clutch (freespooling):** Rotating ring gear clutch  
**Brake:** Spring Brake  
**Drum Diameter/ Length:** Steel and Synthetic: 2.5"/9.0" (6.73cm/23cm)  
**Weight:**  
**Shipping Steel:** 91.93 lbs. (41.7 kg)  
**Shipping Synthetic:** 72.40 lbs. (32.84 kg)  
**Net Product Steel:** 74.74 lbs. (33.9 kg)  
**Net Product Synthetic:** 55.20 lbs. (25.04 kg)  
**Rope:**  
**Steel:** .354" x 90' (9mm x 27.4m)  
**Synthetic:** 3/8" x 90' (9.5mm x 27.4m)  
**Fairlead:** Steel: Roller, Synthetic: Die Cast Hawse  
**Recommended Battery:** 650 CCA min. for winching  
**Battery Leads:** 0.98" x 6.5' (25mm x 2m)  
**Finish:** Powder coating over primer undercoating  
**Warranty:** Limited lifetime

### 12V DC performance specs (first layer of drum)

Line Pull Lbs. (Kg)	Line Speed Ft./min. (M/min.)	Motor Current	Pull by layer: layer/Lbs (Kg)
0	27.1 (8.3)	58 amps	1/10000 (4536)
2000 (910)	13.9 (4.2)	125 amps	2/7996 (3627)
4000 (1810)	9.9 (3.0)	185 amps	3/6661 (3021)
6000 (2720)	8.2 (2.5)	244 amps	4/5708 (2589)
8000 (3630)	6.5 (2.0)	303 amps	5/4993 (2265)
10000 (4536)	5.2 (1.6)	358 amps	



<b>A</b> 21.02" (534mm)	<b>D</b> 7.5" (191.4mm)	<b>G</b> 6.3" (160.5mm)
<b>B</b> 10" (254mm)	<b>E</b> 4.84" (123mm)	<b>H</b> 10.08" (256mm)
<b>C</b> 2.54" (64mm)	<b>F</b> 6.18" (157mm)	<b>I</b> 6.79" (172.4mm)

**Winch Dimensions:** 21" L x 6.3" D x 10.1" H  
 (534mm L x 160.5mm D x 256mm H)

**Mounting Bolt Pattern:** 10.0" x 4.5" (254mm x 114.3mm)

**Warn Industries, Inc.**  
 12900 S.E. Capps Road,  
 Clackamas, OR USA 97015-8903



Customer Service (North America):  
**1-800-543-9276**

International Sales Support:  
**+1 503 722 1200**

[warn.com](http://warn.com)